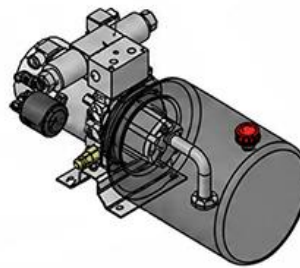
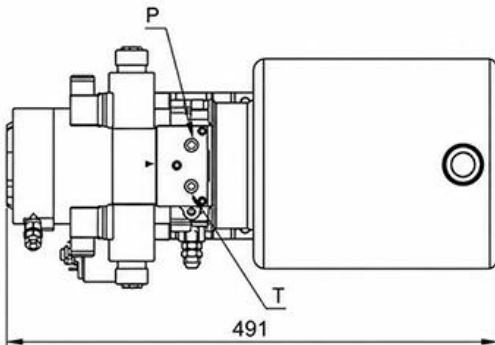
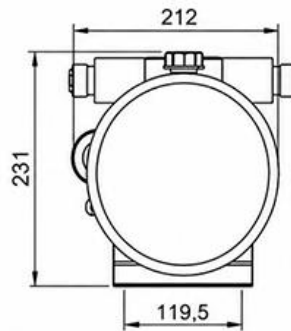
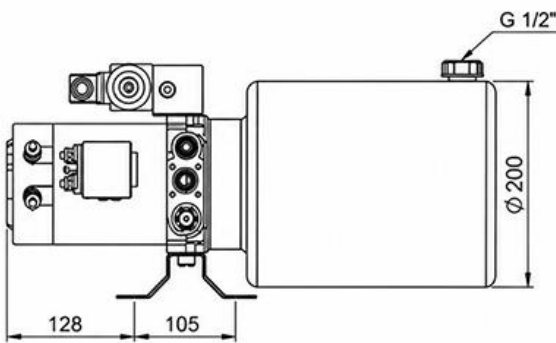
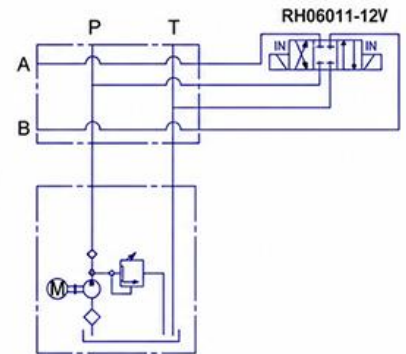


DATA SHEET – DIMENSIONS

11285: MINI HYDRAULIC POWER-PACK UNIT 12V DC - 1.6KW = 2.1CC - 8 LIT - DOUBLE-ACTING UNIT (METAL)

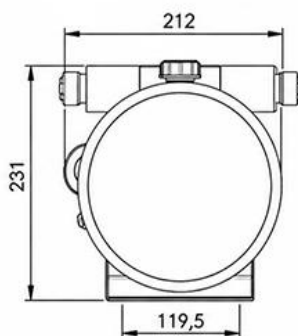
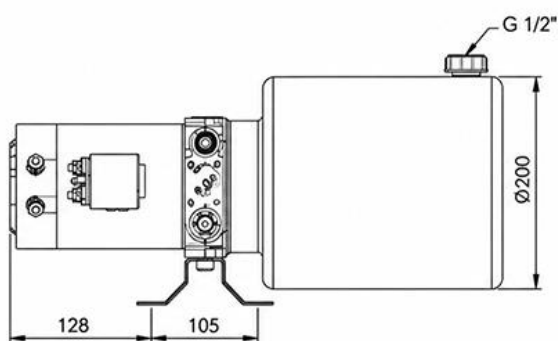
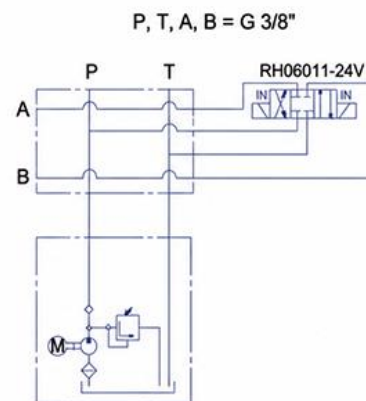
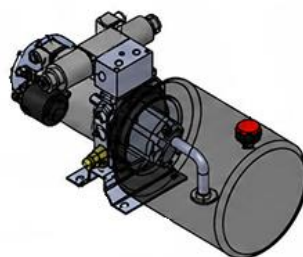
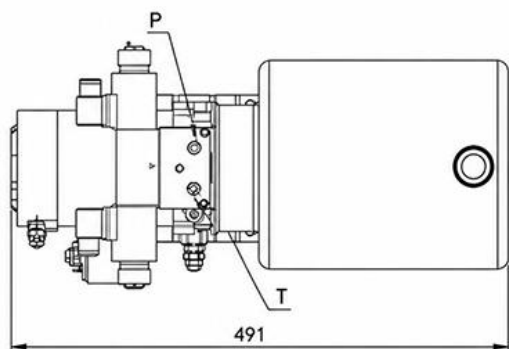


P, T, A, B = G 3/8"



daljinec 2 gumba,
2,5 m kabel
2 button remote control,
2,5m cable

11549: MINI HYDRAULIC POWER-PACK UNIT 24V DC - 2.2KW = 2.1CC - 8 LIT - DOUBLE-ACTING UNIT (METAL)



daljinec 2 gumba,
2,5 m kabel

2 button remote,
2,5m cable

CODE	VOLTAGE (V)	MOTOR POWER (kW)	MAX. PRESSURE (bar)	PUMP FLOW (cc)	OIL TANK CAPACITY (l)	FLOW OF POWER PACK (lit/min)	SPEED (vrt/min)
11285	12	1,6	155	2,1	8	5,6	2500
11549	24	2,2	210			5,8	

CIRCUIT DIAGRAM:

